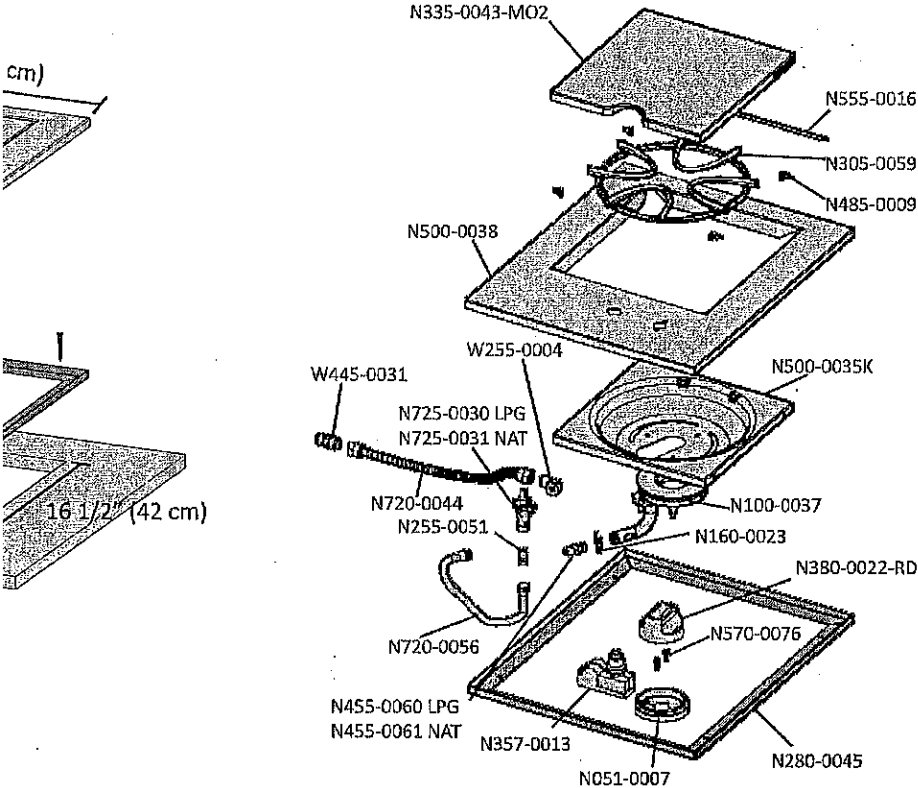




# FRONT SIDE BURNER INSTALLATION

FRONT-COMBUSTIBLE enclosures only, and must be installed and serviced by a qualified professional. Use this manual in conjunction with your main manual to properly assemble and operate the burner. See the main manual for operating, cleaning, and maintenance instructions.



INCH DEEP  
RIGHT CORNER UNDER VALVE

Top of the opening, space equally around all sides. The frame must be  
prevent any future movement. (fasteners not included)